

<u>DRAWING NO.</u>	<u>TITLE</u>
SS1	STANDARD MANHOLE
SS2	SANITARY MANHOLE WITH PRIVATE UNDERDRAIN
SS3	24" MANHOLE RING AND COVER
SS4	SANITARY SEWER TRENCH DETAIL
SS5	SANITARY SEWER TRENCH WITH PRIVATE UNDERDRAIN

INDEX OF SANITARY SEWER DETAILS



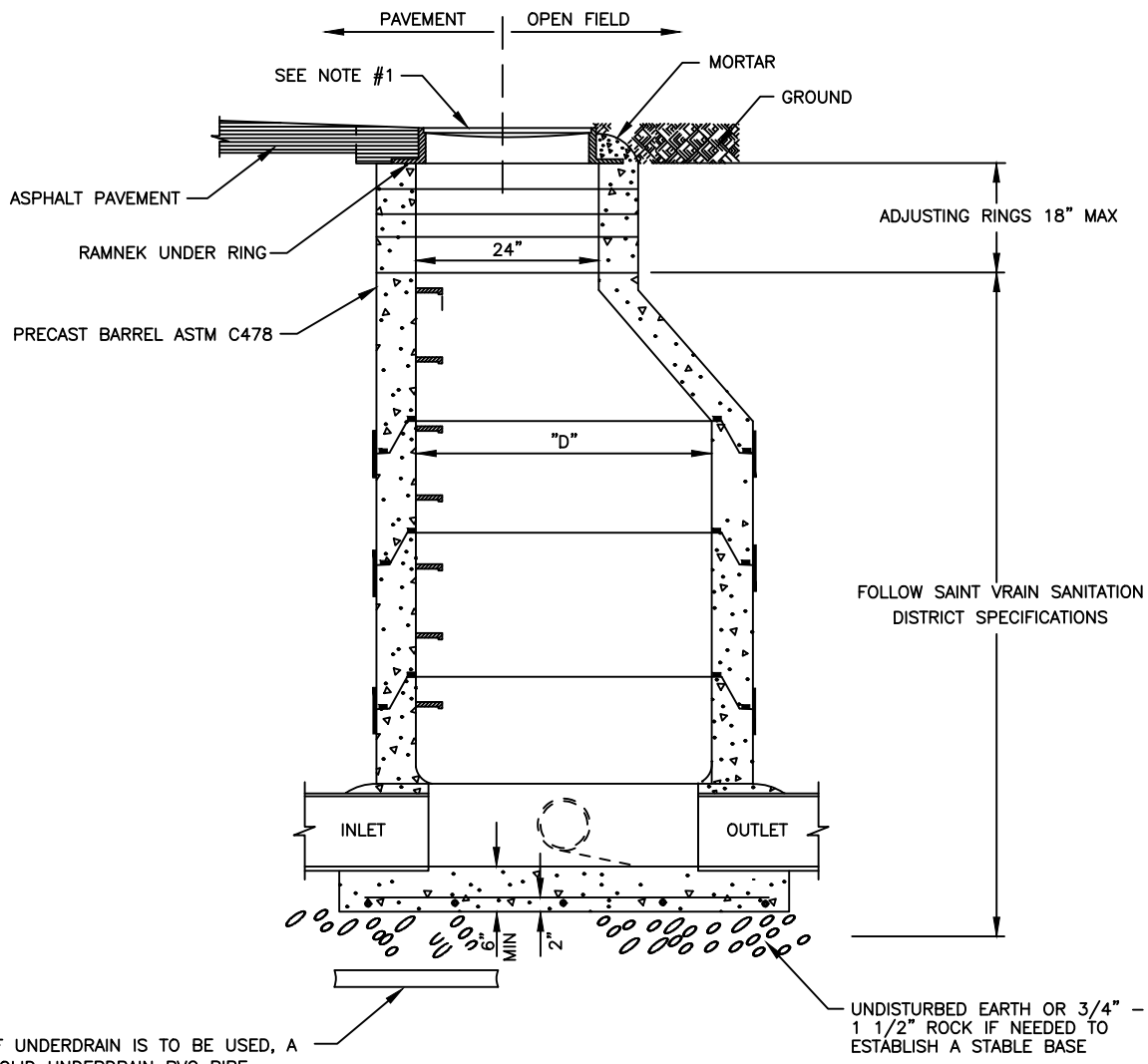
**SANITARY SEWER
CONSTRUCTION
DRAWINGS**

BY: JME

SCALE: NTS

DATE: 1/2020

DRAWING:



SECTION

NOTES:

1. FINAL GRADE OF MANHOLE COVERS SHALL BE 1/4" LOWER THAN FINAL STREET GRADE.
2. MANHOLES NOT IN ASPHALT OR CONCRETE SHALL BE RAISED 6" ABOVE FINAL GRADE AND A CONCRETE COLLAR INSTALLED WITH A GREEN CARSONITE POST.
3. BACKFILL TO BE HAND PLACED AND COMPACTED WITHIN FOUR FEET OF THE MANHOLE.

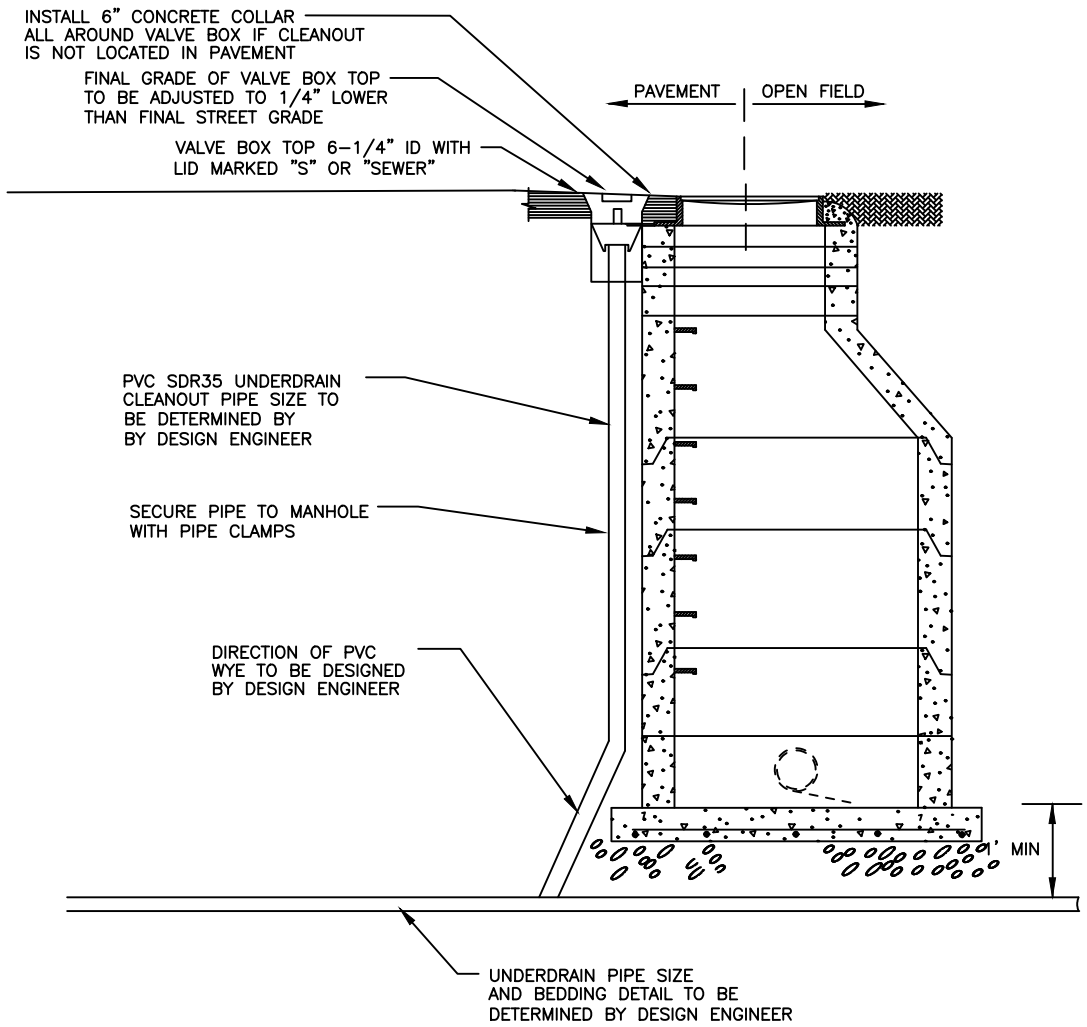
STANDARD MANHOLE



SANITARY SEWER
CONSTRUCTION
DRAWINGS

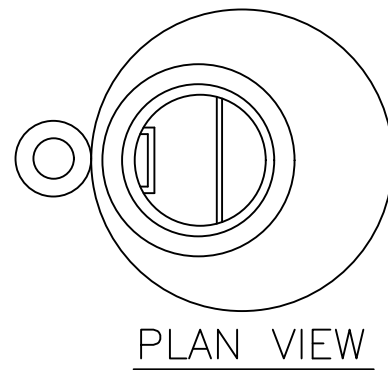
BY: JME
SCALE: NTS
DATE: 1/2020

DRAWING:
SS1



NOTES:

1. FALL UNDERDRAIN SYSTEMS SHALL BE PRIVATE AND NOT MAINTAINED BY THE TOWN OF FIRESTONE.
2. PLACE UNDERDRAIN COLLECTOR PIPE AROUND CONCRETE MANHOLE BASE.
3. CLEANOUT TO BE PLACED UPSTREAM/DOWNSTREAM OF SANITARY MANHOLE AS DETERMINED BY THE DESIGN ENGINEER.
4. SEE 'TRENCH DETAIL WITH PRIVATE UNDERDRAIN' DETAIL FOR VERTICAL LOCATION OF UNDERDRAIN.



SANITARY MANHOLE WITH PRIVATE UNDERDRAIN

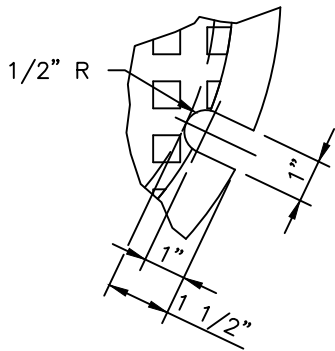
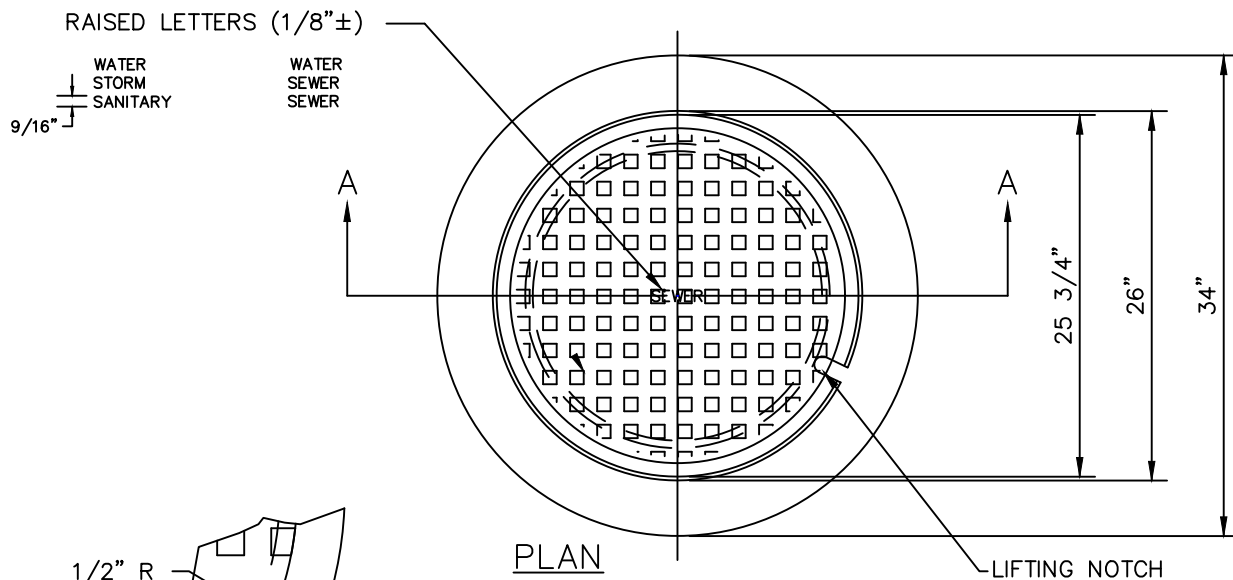


**SANITARY SEWER
CONSTRUCTION
DRAWINGS**

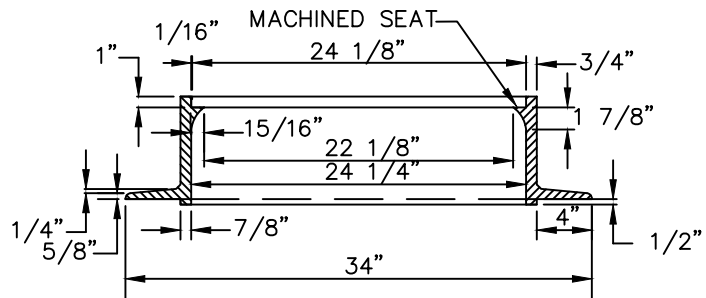
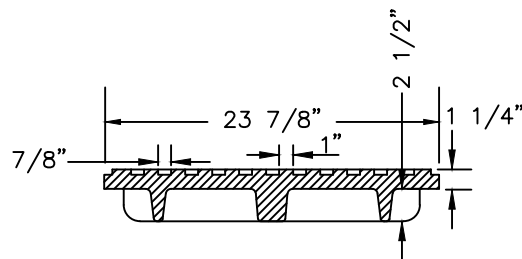
BY: JME
SCALE: NTS
DATE: 1/2020

DRAWING:

SS2



LIFTING NOTCH



SECTION A-A

1. CASTING SPECIFICATIONS: ASTM A-48 WITH A MINIMUM TENSILE STRENGTH OF 25 KSI (CLASS 25)
2. ALL CASTINGS TO BE DIPPED IN ASPHALT BASE PAINT (OR APPROVED EQUAL)
3. CASTINGS SHALL BE AS SPECIFIED BELOW OR APPROVED EQUAL:

MANUFACTURERS	CAT. #
NEENAH	R-1706
CASTINGS, INC.	MH-400-24 C.I.
HUTCHINSON FDRY. & STL. INC.	MH-400

4. ALL NEW MANHOLES MUST INCLUDE A PLASTIC OR VINYL TAG ATTACHED TO THE TOP STEP STATING THE FOLLOWING "CAUTION CONFINED SPACE; ENTRY PERMIT REQUIRED.

24" MANHOLE RING AND COVER



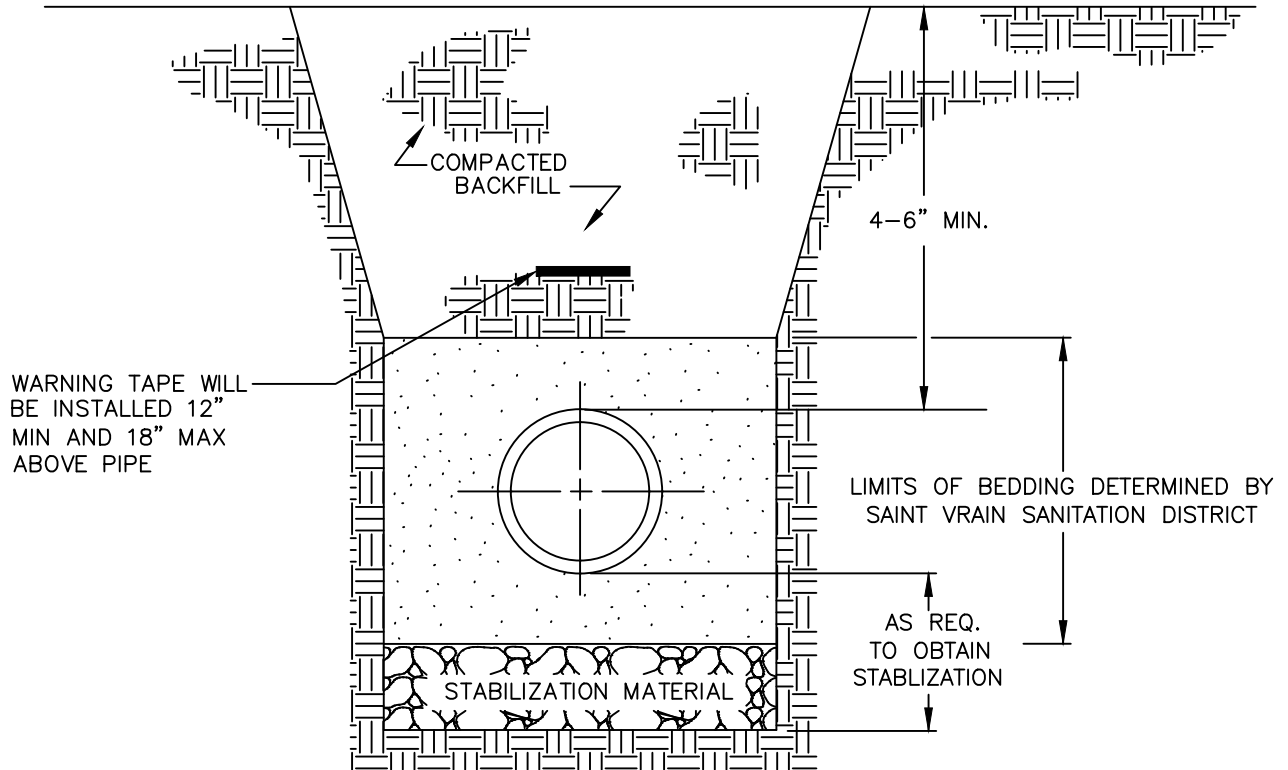
SANITARY SEWER
CONSTRUCTION
DRAWINGS

BY: JME
SCALE: NTS
DATE: 1/2020

DRAWING:

SS3

SEE DETAIL ST8 FOR ASPHALT PATCH



NOTES:

1. COMPACTION SHALL BE AS FOLLOWS: PIPE ZONE BEDDING 6" UNDER AND 12" OVER PIPE WILL REQUIRE 90% S.P.D. TRENCH ZONE ABOVE BEDDING MATERIALS, FULL TRENCH SECTION IN ROADWAY OR STREET R.O.W. LIMITS WILL REQUIRE 95% S.P.D. TRENCH ZONE ABOVE BEDDING MATERIALS, OUTSIDE OF STREET R.O.W. WILL REQUIRE 90% S.P.D.
2. TRENCH TO BE BRACED OR SHEETED AS NECESSARY FOR THE SAFETY OF THE WORKMEN AND PROTECTION OF OTHER UTILITIES IN ACCORDANCE WITH APPLICABLE LOCAL, STATE AND FEDERAL SAFETY REGULATIONS.
3. TRENCH WIDTH SHALL NOT BE MORE THAN 24" NOR LESS THAN 12" WIDER THAN THE LARGEST OUTSIDE DIAMETER OF THE PIPE.

SANITARY SEWER TRENCH DETAIL

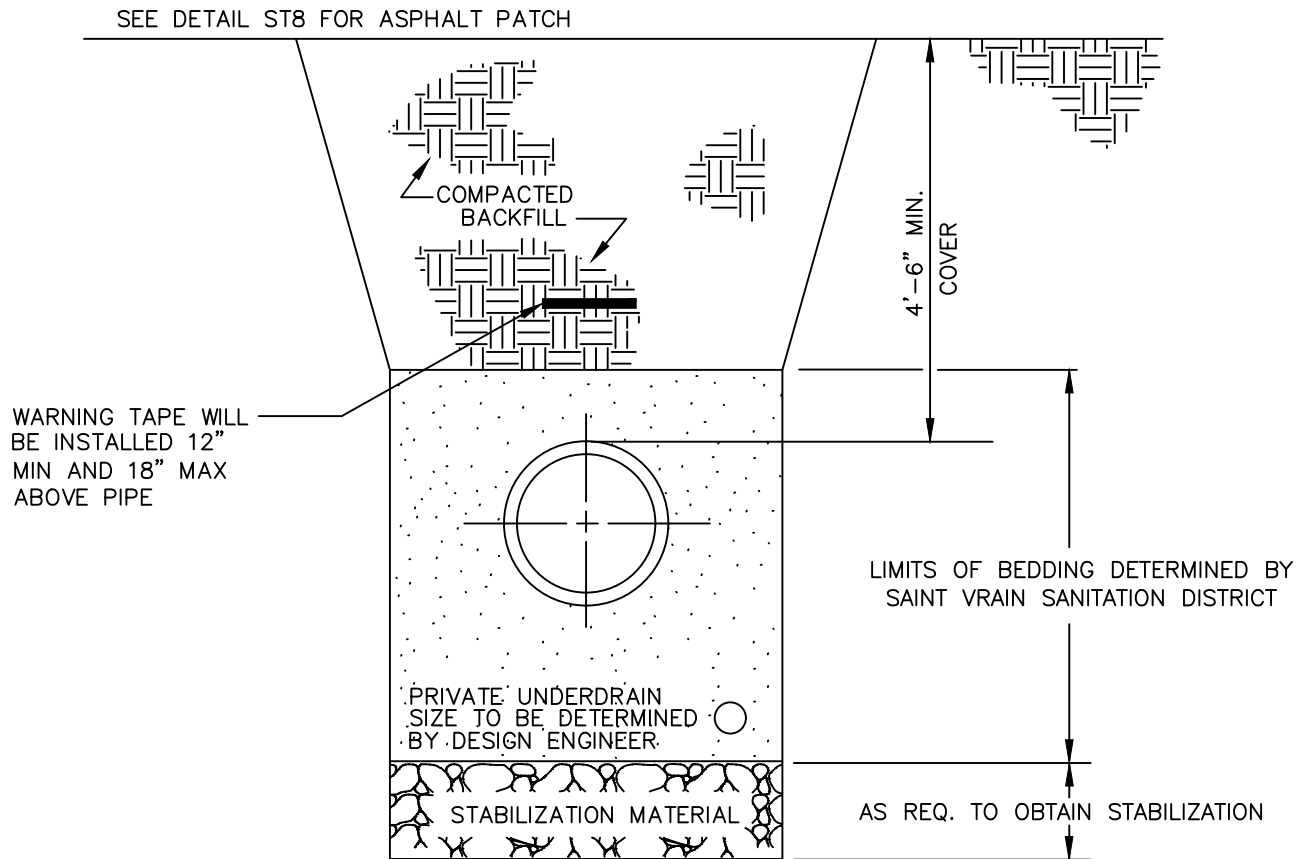


**SANITARY SEWER
CONSTRUCTION
DRAWINGS**

BY: JME
SCALE: NTS
DATE: 1/2020

DRAWING:

SS4



NOTES:

1. BACKFILL TO BE COMPACTED TO 95% ASTM D-698, OR 70% OF ASTM D-4253 AND 4254 RELATIVE DENSITY, IN ALL AREAS UNLESS OTHERWISE NOTED.
2. TRENCH TO BE BRACED OR SHEETED AS NECESSARY FOR THE SAFETY OF THE WORKMEN AND PROTECTION OF OTHER UTILITIES IN ACCORDANCE WITH APPLICABLE LOCAL, STATE AND FEDERAL SAFETY REGULATIONS.
3. TRENCH WIDTH SHALL NOT BE MORE THAN 16" NOR LESS THAN 12" WIDER THAN THE LARGEST OUTSIDE DIAMETER OF THE PIPE.
4. COMPACTION SHALL BE AS FOLLOWS: PIPE ZONE BEDDING 6" UNDER AND 12" OVER PIPE WILL REQUIRE 90% S.P.D. TRENCH ZONE ABOVE BEDDING MATERIALS, FULL TRENCH SECTION IN ROADWAY OR STREET R.O.W. LIMITS WILL REQUIRE 95% S.P.D. TRENCH ZONE ABOVE BEDDING MATERIALS, OUTSIDE OF STREET R.O.W. WILL REQUIRE 90% S.P.D.
5. ALL UNDERDRAIN SYSTEMS SHALL BE PRIVATE AND WILL NOT BE MAINTAINED BY THE TOWN OF FIRESTONE.

SANITARY SEWER TRENCH WITH PRIVATE UNDERDRAIN



**SANITARY SEWER
CONSTRUCTION
DRAWINGS**

BY: JME
SCALE: NTS
DATE: 1/2020

DRAWING:

SS5